



McKenzie House
INTERIORS

How to Measure Roller Blinds

Decide whether you want your blinds to fit inside the window reveal or on the face of your window architrave or wall (inside fit is usual).
Then use the appropriate measuring guide below.

Some important specifications to consider before measuring:

Maximum blind width: 3010mm

For windows and doors wider than 3010mm, two or more blinds can be butted next to each other. In this case, please supply the overall reveal width as well as the width of each individual blind within it and state that these blinds butt together.

Maximum blind drop: 2700mm

Take care to look for mullions and window hardware that might get in the way when fitting or using the blind.

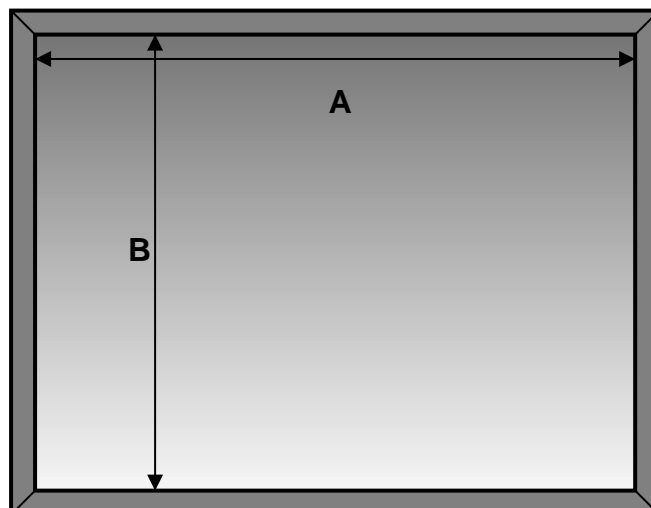
As a rough guide, 50mm is the minimum clear depth (front to back) required to fit a single roller blind inside a window/door reveal. Fabric thickness and overall blind drops will cause some variation to this – please ask if you need more clarification.

Inside Fit

Measure the inside width of the window from wood to wood. Measure as close as possible to the top of the frame. **This is your overall width (A).**

!! Be exact. Do not add on anything – even one millimetre extra can make the blind too tight!

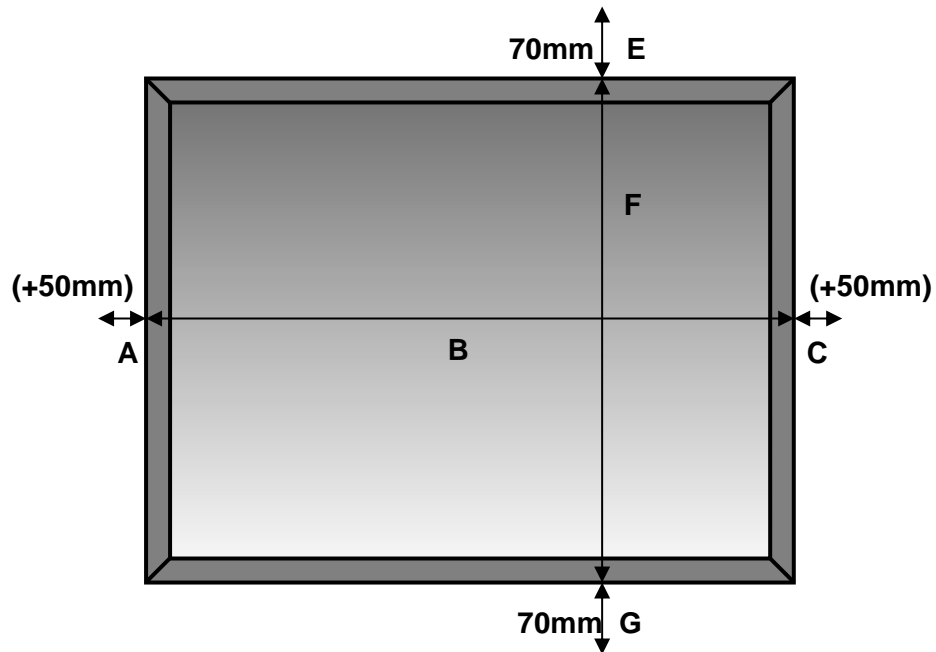
Measure the height inside the window reveal from wood to wood. **This is your overall drop (B).**



Outside Fit

A basic recommendation for 'outside fit' roller blinds is to add 50mm each side, 70mm above and 70mm below the outside edges of the window frame/architrave. However, this can be modified to suit your individual requirements.

NB. The width of a roller blind is the overall width of the roller tube and brackets at the top, but the fabric width is 34mm less than this. If you need the fabric to be a specific width, please specify this and make sure it is clearly marked "fabric width".



A (50mm) + B (width of architrave to outside edges) + C (50mm) = Overall width

E (70mm) + F (height of architrave to outside edges) + G (70mm) = Overall drop